



REMOTE MOUNT CONDENSER

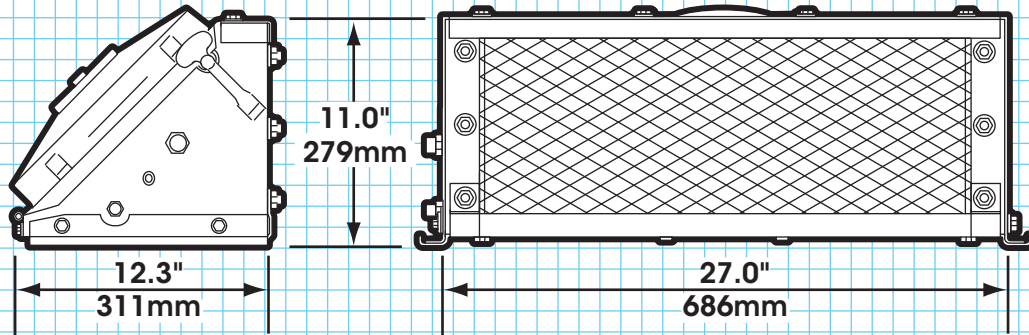
Red Dot Model **R-9720**

ROOFTOP

R-9720



The R-9720 is the industry's most versatile and rugged remote-mount condenser. Its unique design allows installation on a horizontal surface or mounted below a roof or floor panel simply by changing two hose connectors. Suitable for off-highway applications, commercial trucks, or specialty vehicles where a radiator-mount or rooftop condenser cannot be used.



SPECIFICATIONS

BTU's 39,000 BTU/Hr. (8.8 kW)

Air Flow 908 CFM

Weight 45 lbs. (16.8 kg)

Draw 12.3 amps @ 13.6 VDC
(includes 4 amps for A/C clutch)
6.17 amps @ 27.2 VDC
(includes 2 amps for A/C clutch)

Fan 10-inch (25.4 cm) diameter, 4 blade fan with single speed long life motor

Materials Copper tubing, aluminum fins and plated
Coil steel headers

1 square = 1"